

ITEM NO.	PART NUMBER	DESCRIPTION	QTY.
1	Casing		1
2	Base		1
3	Inhibitor		1
4	Core		1
5	Top Closure		1
6	Spring	Alcomex - Art no. DR3580	1
7	Pusher		1
8	Washer DIN 9021 - 13		2
9	DIN 976-1 -- M12 x 40 A-- N		1
10	DIN 976-1 -- M12 x 70 A-- N		1
11	Hexagon Nut ISO 4032 - M12 - D - N		2

PROPRIETARY AND CONFIDENTIAL
 THE INFORMATION CONTAINED IN THIS DRAWING IS THE SOLE PROPERTY OF JURRIAN VAN DE BEEK. ANY REPRODUCTION IN PART OR AS A WHOLE WITHOUT THE WRITTEN PERMISSION OF JURRIAN VAN DE BEEK IS PROHIBITED.

UNLESS OTHERWISE SPECIFIED:

DIMENSIONS ARE IN MM
 TOLERANCES: ± 0,1MM
 ANGULAR: ± 0,1 DEGREE

INTERPRET GEOMETRIC TOLERANCING PER:
 MATERIAL

FINISH

DO NOT SCALE DRAWING

NAME DATE

DRAWN JvdBe

CHECKED

ENG APPR.

MFG APPR.

Q.A.

COMMENTS:



TITLE:
 54mm - mold - spring loaded
 - 25.11.08

SIZE **A3** DWG. NO. REV

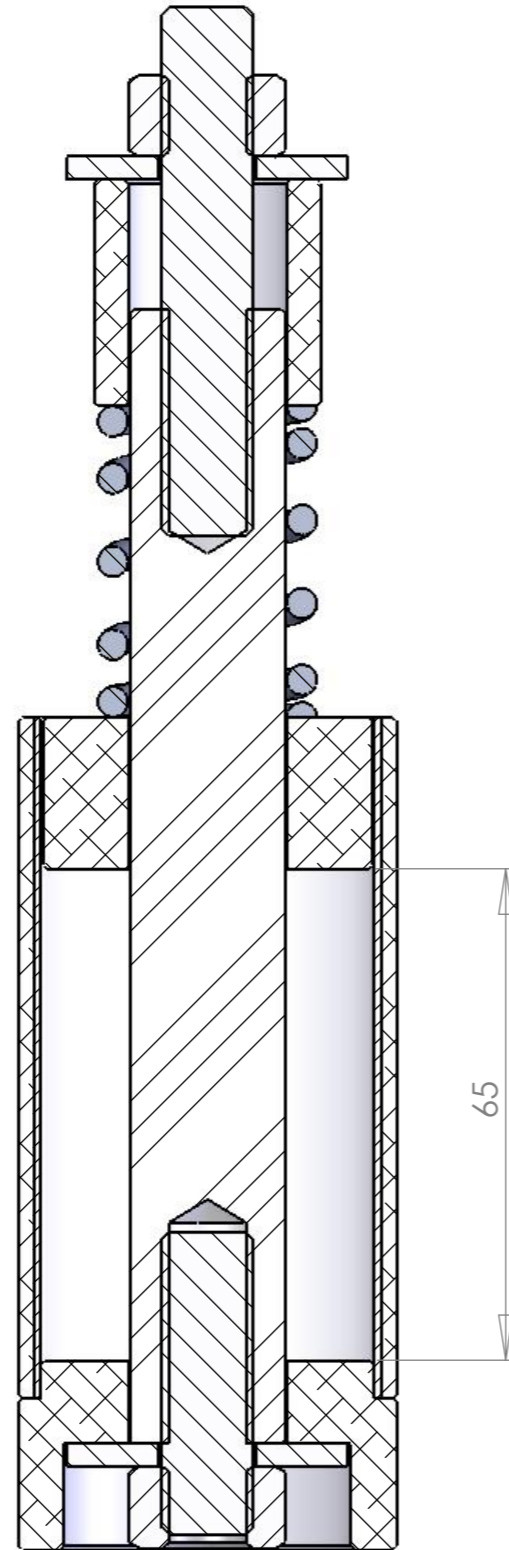
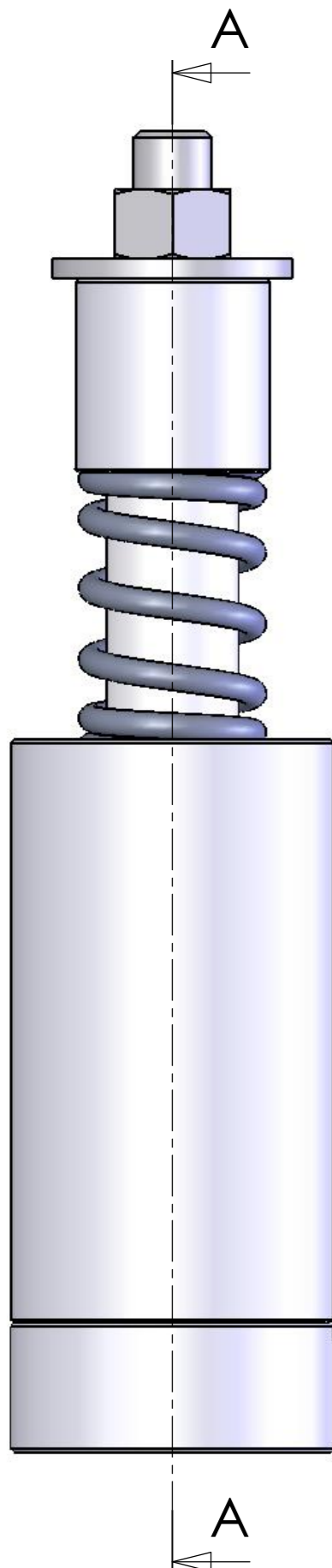
SCALE: 1:2 WEIGHT: SHEET 1 OF 4

NEXT ASSY

USED ON

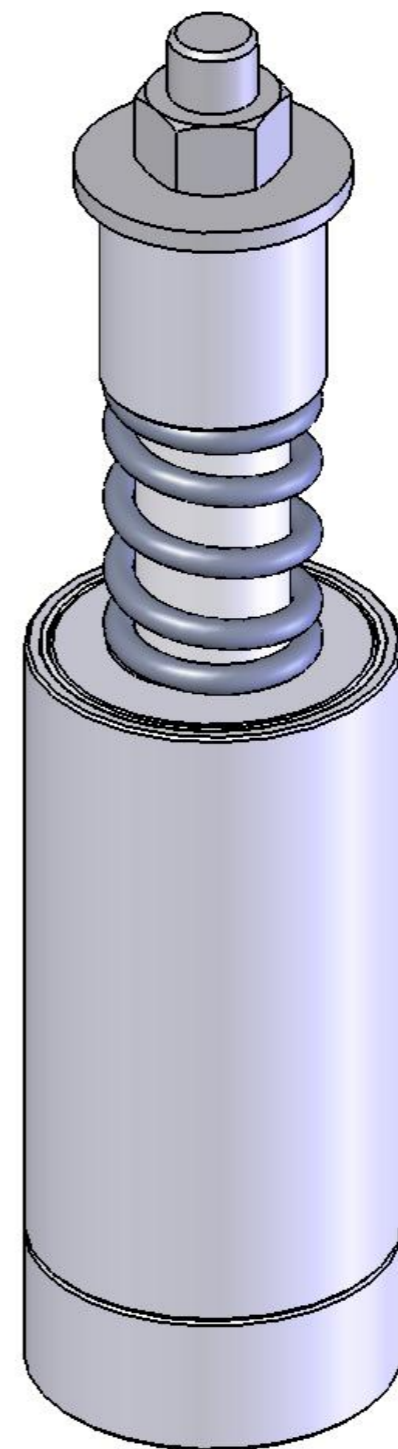
APPLICATION


8 7 6 5 4 3 2 1



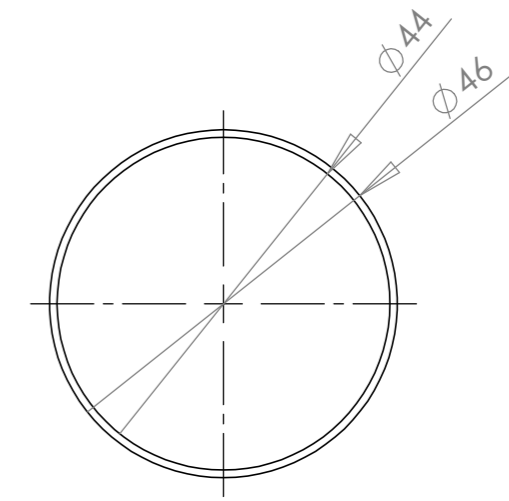
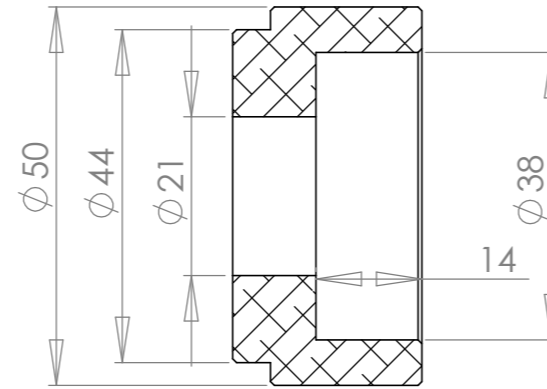
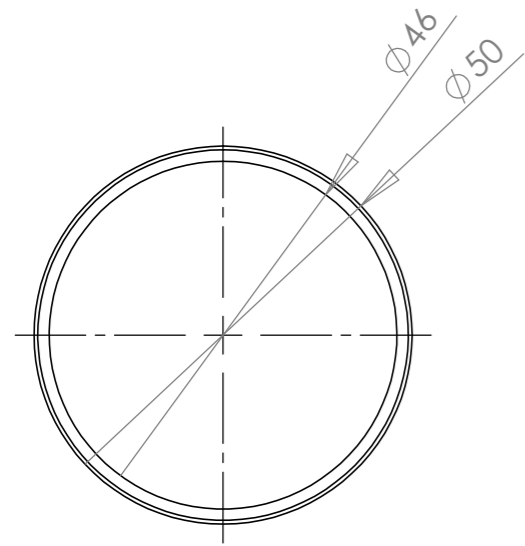
SECTION A-A
SCALE 1:1

PROPRIETARY AND CONFIDENTIAL
THE INFORMATION CONTAINED IN THIS DRAWING IS THE SOLE PROPERTY OF JURRIAN VAN DE BEEK. ANY REPRODUCTION IN PART OR AS A WHOLE WITHOUT THE WRITTEN PERMISSION OF JURRIAN VAN DE BEEK IS PROHIBITED.

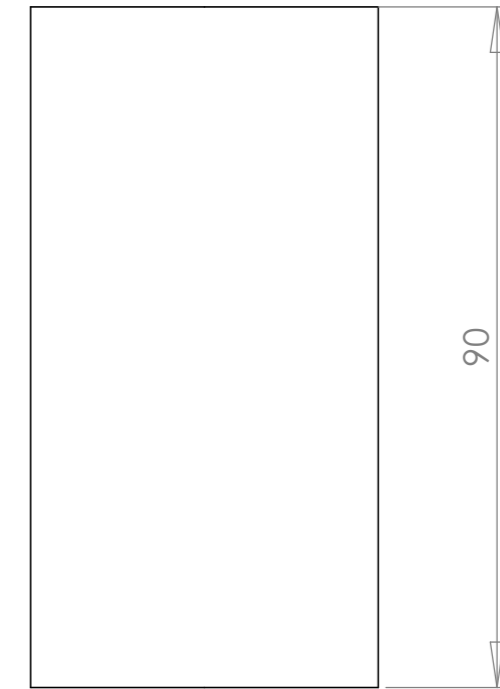
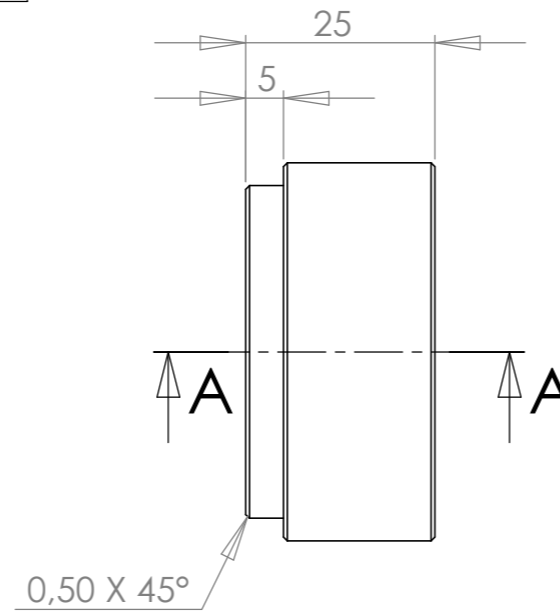
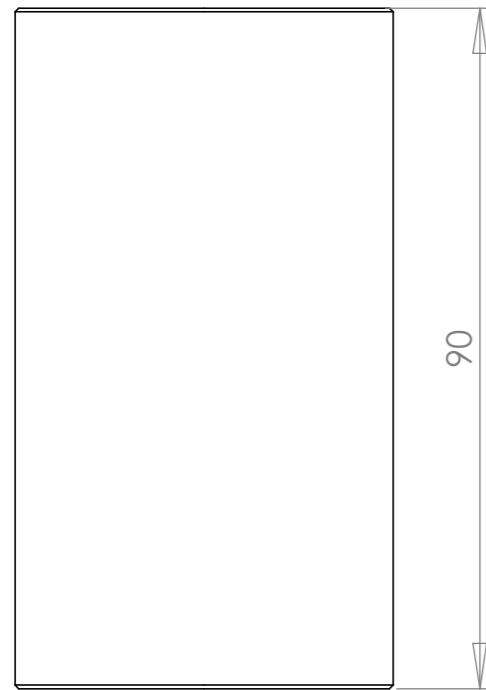


		UNLESS OTHERWISE SPECIFIED:		NAME	DATE	 TITLE: 54mm - mold - spring loaded - 25.11.08	
		DIMENSIONS ARE IN MM TOLERANCES: ± 0,1MM ANGULAR: ± 0,1 DEGREE		DRAWN	JvdBe		
		INTERPRET GEOMETRIC TOLERANCING PER:		ENG APPR.		SIZE A3	
		MATERIAL		MFG APPR.			
NEXT ASSY		USED ON		Q.A.		DWG. NO.	
APPLICATION		DO NOT SCALE DRAWING		COMMENTS:		REV	
						SCALE: 1:1 WEIGHT: SHEET 2 OF 4	

8 7 6 5 4 3 2 1



All square edges, unless otherwise specified, chamfer 0,5mm




CASING

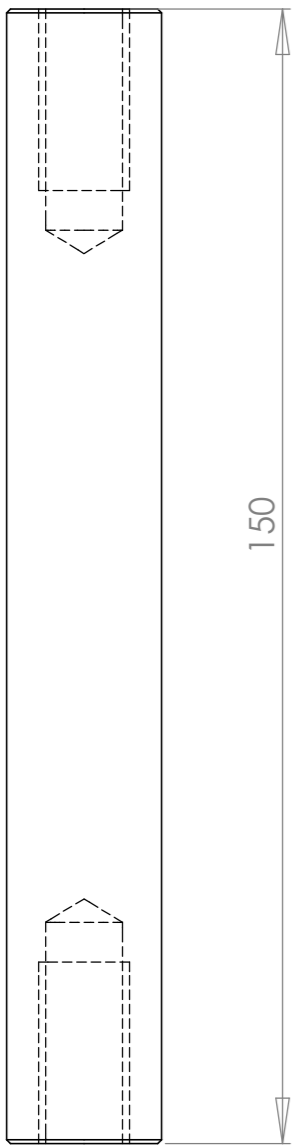
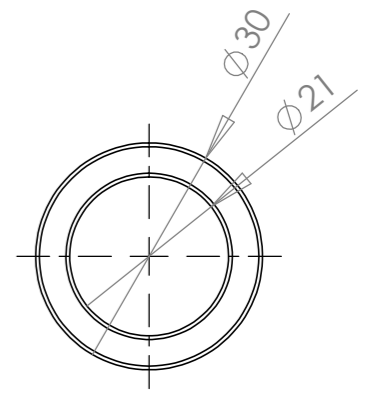
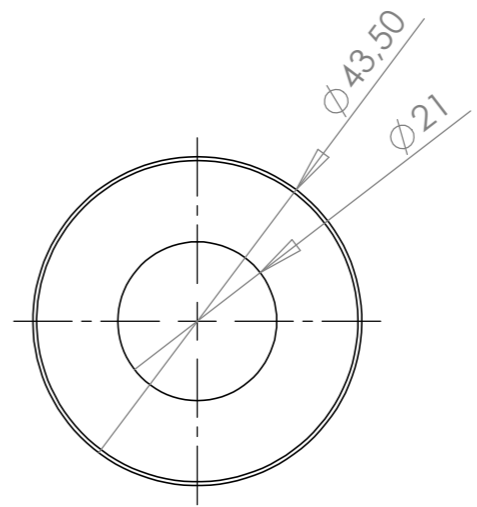
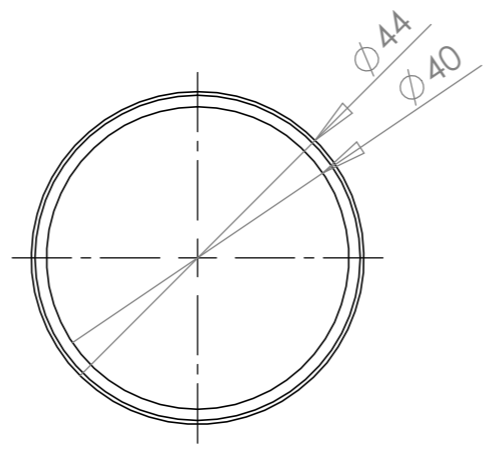
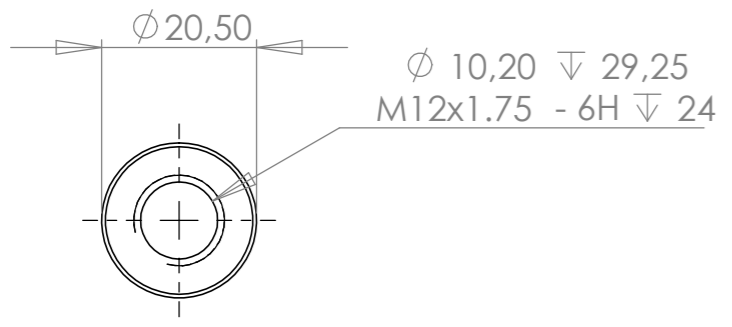
BASE

INHIBITOR

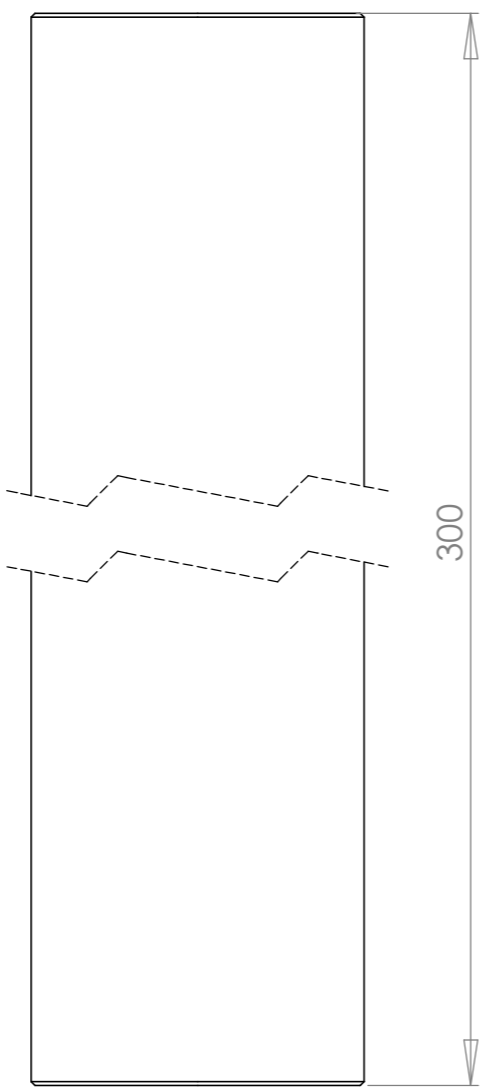
PROPRIETARY AND CONFIDENTIAL
 THE INFORMATION CONTAINED IN THIS DRAWING IS THE SOLE PROPERTY OF JURRIAN VAN DE BEEK. ANY REPRODUCTION IN PART OR AS A WHOLE WITHOUT THE WRITTEN PERMISSION OF JURRIAN VAN DE BEEK IS PROHIBITED.

		UNLESS OTHERWISE SPECIFIED:		NAME	DATE				
		DIMENSIONS ARE IN MM TOLERANCES: ± 0,1MM ANGULAR: ± 0,1 DEGREE		DRAWN	JvdBe			TITLE: CASING, BASE & INHIBITOR	
				CHECKED		SIZE A3			
				ENG APPR.					
				MFG APPR.		REV			
				Q.A.		SCALE: 1:1			
				COMMENTS:		WEIGHT:			
NEXT ASSY		USED ON		FINISH		SHEET 3 OF 4			
APPLICATION				DO NOT SCALE DRAWING					

OUTER DIAMETER
SET BY POM
EXTRUSION PROFILE

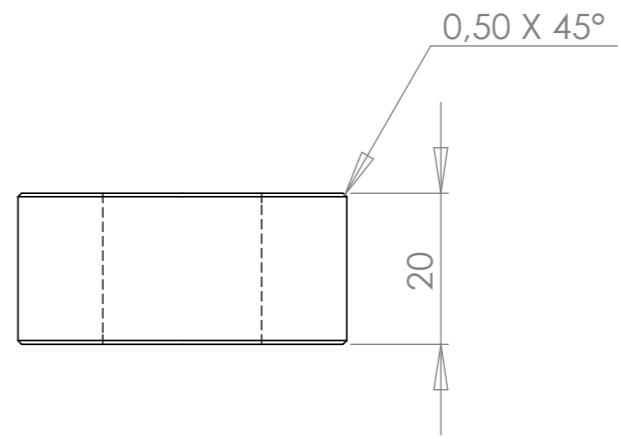


CORE

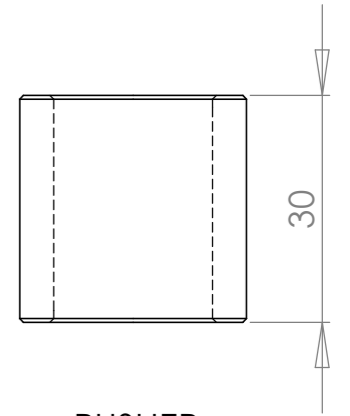


INHIBITOR PIPE

All square edges, unless
otherwise specified,
chamfer 0,5mm



TOP CLOSURE



PUSHER

PROPRIETARY AND CONFIDENTIAL
THE INFORMATION CONTAINED IN THIS
DRAWING IS THE SOLE PROPERTY OF
JURRIAN VAN DE BEEK. ANY
REPRODUCTION IN PART OR AS A WHOLE
WITHOUT THE WRITTEN PERMISSION OF
JURRIAN VAN DE BEEK IS
PROHIBITED.

		UNLESS OTHERWISE SPECIFIED:		NAME	DATE		
		DIMENSIONS ARE IN MM TOLERANCES: $\pm 0,1$ MM ANGULAR: $\pm 0,1$ DEGREE		DRAWN	JvdBe		
		INTERPRET GEOMETRIC TOLERANCING PER:		CHECKED		TITLE: CORE, INHIBITOR PIPE, TOP CLOSURE & PUSHER	
				ENG APPR.			
		MATERIAL		Q.A.		SIZE A3	
				COMMENTS:			
NEXT ASSY	USED ON	FINISH				DWG. NO.	REV
APPLICATION		DO NOT SCALE DRAWING				SCALE: 1:2	WEIGHT:
						SHEET 4 OF 4	